

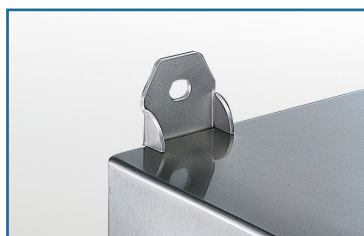
PRODUCT	PAG.
PUSH-BUTTON BOARDS & JUNCTION BOXES	
Pushbutton boards PE and Junction boxes DE	110
Pushbutton boards PS and Junction boxes DS	112
Accessories for DS and PS	115

4

# PUSH-BUTTON BOARDS & JUNCTION BOXES



WALL-MOUNT FASTENERS



PUSHBUTTONS

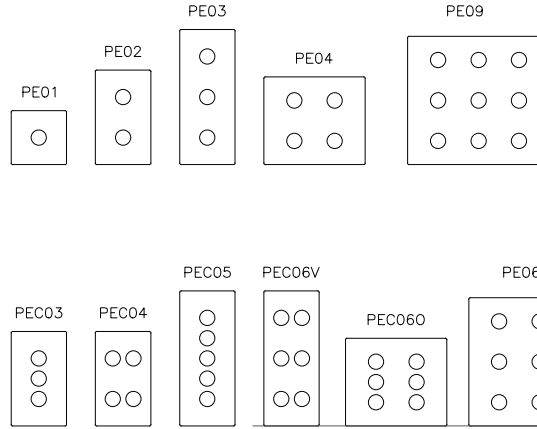
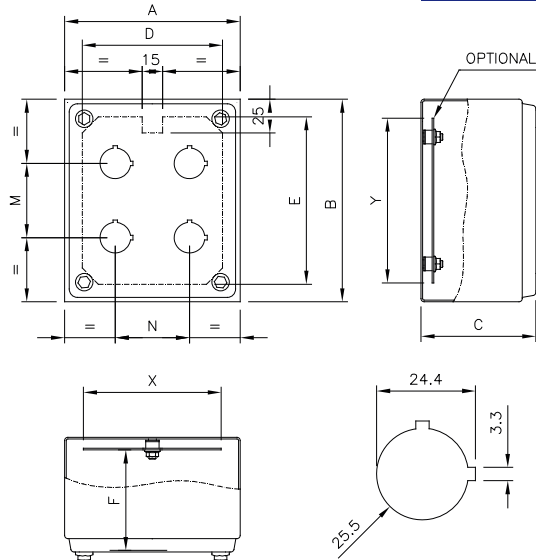


JUNCTION BOX



## PUSHBUTTONS PE AND JUNCTION BOXES DE

- EN 1.4307 (TYPE 304L) s/s execution, thickness 12/10, fine satin-finish. On request, they can be made from other types of s/s and customized to meet specific requirements.
- Cutting-edge welding procedures enable to maintain unaltered the chemical formulation of the material thus avoiding corrosion in the weld areas.
- The cover is secured by screws provided with sealing and leak-proof washers.
- Gasket made of closed-cell foamed silicone rubber, oil-proof and self-extinguishing.
- Protection degree IP66 and IP69K when appropriate components are properly installed, as per CEI EN 60529 rules.
- Pre-arrangement for earthing in compliance with the applicable rules.
- All boxes feature stud bolts to secure the DIN bar, if any.
- The PE series features drilled cover to accommodate the Ø 22,5 standardized push-button panel.
- Inner plate in sendzimir execution, available on demand from models PE02, DE02, PEC03 and PEC04.



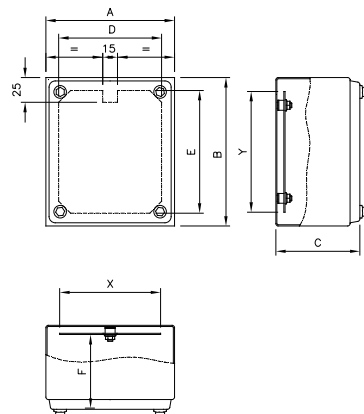
	<b>IP69K</b>	<b>IP66</b>	EN 60 529
	<b>TYPE NEMA 4X, 4, 1</b>		Standard UL508A - UL50 Standard 250
	<b>IK07</b>		EN 60204-1 89/392/EEC

## PUSHBUTTONS PE

Detailed drawings per each box can be downloaded from our site [www.ilinox.com](http://www.ilinox.com)

ITEM	OUTSIDE SIZES			USEFUL SURFACE			CENTRE DISTANCE		MATERIAL		INNER PLATE (OPTIONALS)		
	A	B	C	D	E	F	M	N	TYPE	THICKNESS	ITEM	X	Y
PE01/304A	90	90	85	64	64	-	-	-	Type 304L	12/10	-	-	-
PE02/304A	90	140	85	64	114	74	55	-	Type 304L	12/10	PI02A	62	112
PEC03/304A	90	140	85	64	114	74	30,5	-	Type 304L	12/10	PI02A	62	112
PEC04/304A	90	140	85	64	114	74	55	30,5	Type 304L	12/10	PI02A	62	112
PE03/304A	90	200	85	64	174	74	55	-	Type 304L	12/10	PI03A	62	172
PEC05/304A	90	200	85	64	174	74	30,5	-	Type 304L	12/10	PI03A	62	172
PEC06V/304A	90	200	85	64	174	74	55	30,5	Type 304L	12/10	PI03A	62	172
PE04/304A	130	150	85	104	124	74	55	55	Type 304L	12/10	PI04A	102	122
PEC060/304A	130	150	85	104	124	74	30,5	55	Type 304L	12/10	PI04A	102	122
PE06/304A	190	150	100	164	124	89	55	55	Type 304L	12/10	PI06A	162	122
PE09/304A	210	190	100	184	164	89	55	55	Type 304L	12/10	PI09A	182	162

UL certification to be requested with the order



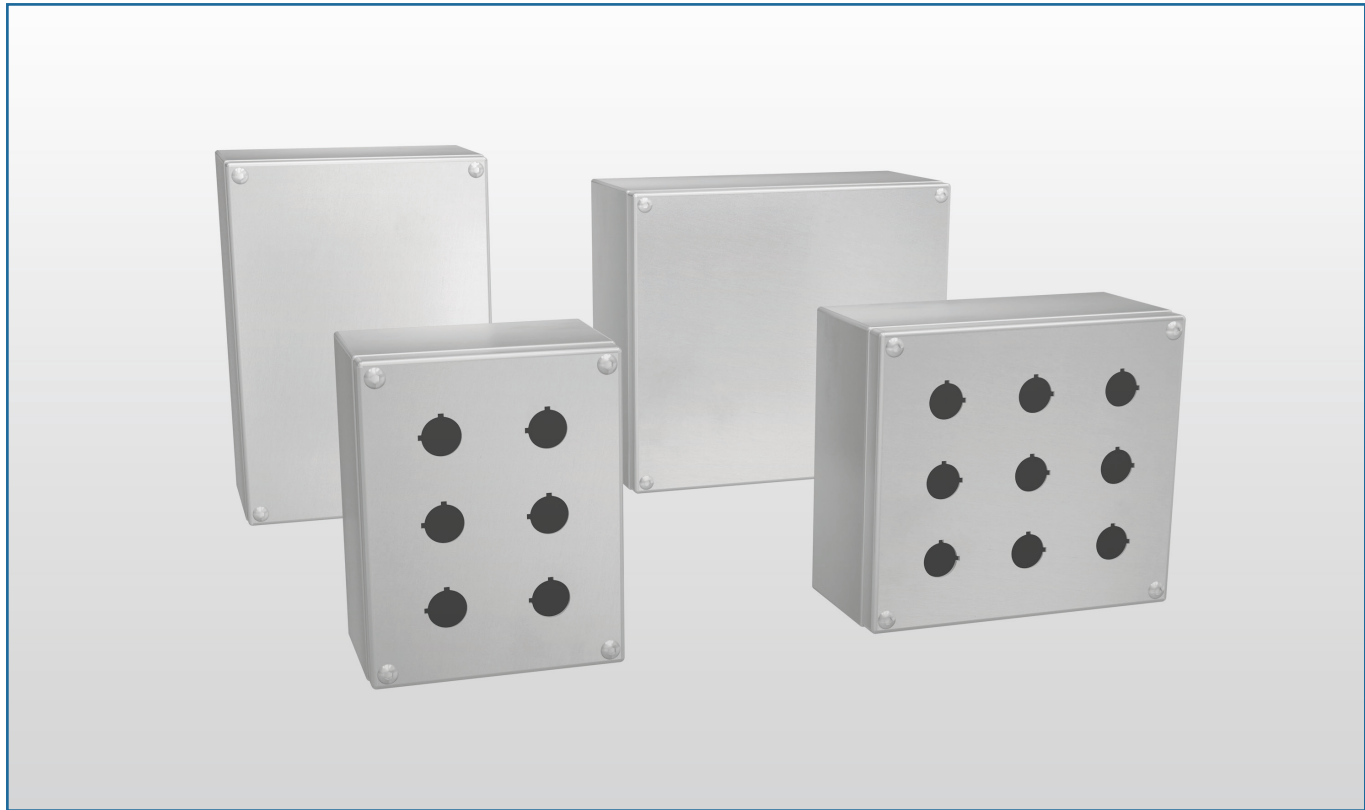
	<b>IP69K</b>	<b>IP66</b>	EN 60 529
	<b>TYPE NEMA 4X, 4, 1</b>		Standard UL508A - UL50 Standard 250
	<b>IK07</b>		EN 60204-1 89/392/EEC

## JUNCTION BOXES DE

Detailed drawings per each box can be downloaded from our site [www.ilinox.com](http://www.ilinox.com)

ITEM	OUTSIDE SIZES			USEFUL SURFACE			MATERIAL		INNER PLATE (OPTIONALS)		
	A	B	C	D	E	F	TYPE	THICKNESS	ITEM	X	Y
DE01/304A	90	90	85	64	64	-	Type 304L	12/10	-	-	-
DE02/304A	90	140	85	64	114	74	Type 304L	12/10	PI02A	62	112
DE03/304A	90	200	85	64	174	74	Type 304L	12/10	PI03A	62	172
DE04/304A	130	150	85	104	124	74	Type 304L	12/10	PI04A	102	122
DE06/304A	190	150	100	164	124	89	Type 304L	12/10	PI06A	162	122
DE09/304A	210	190	100	184	164	89	Type 304L	12/10	PI09A	182	162

UL certification to be requested with the order



WALL-MOUNT FASTENERS



PUSHBUTTONS



WIRED PUSHBUTTON

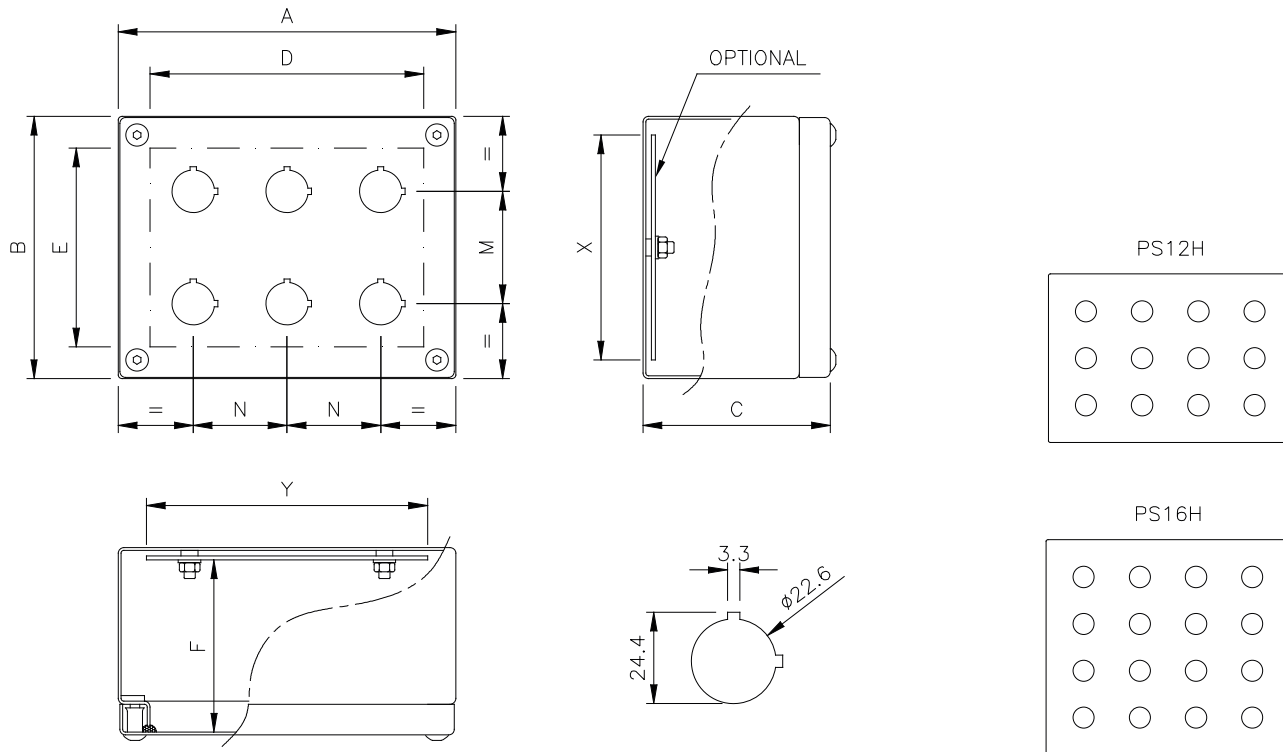


JUNCTION BOX





## PS PUSH-BUTTON PANELS AND DS JUNCTION BOXES

- EN 1.4307 (TYPE 304L) s/s execution, thickness 12/10, fine satin-finish. Available on demand in other types of s/s, as well as customized.
- Cutting-edge welding procedures enable to maintain unaltered the chemical formulation of the material thus avoiding corrosion in the weld areas.
- The cover is secured by special "leak-proof" M5 screws.
- Gasket made of closed-cell foamed silicone rubber, oil-proof and self-extinguishing.
- IP protection degree IP66 and IP69K, when appropriate components are properly installed, as per CEI EN 60529 rules.
- Pre-arrangement for earthing in compliance with the applicable rules. For the push-button panel, a special collar of tinned brass is supplied for positioning under a block, in direct contact with the sheet.
- On the bottom are applied S/S M6 stud bolts to secure structural steel and bars.
- The PS series has a drilled cover to accommodate the Ø 22,5 standardized push-button panel.
- Inner plate in sendzimir execution (on request).
- The enclosures of the series PS-DS can be pressurized according to CEI 64-2 and CEI 31-1 for A-SI security systems and enclosures featuring Ex-p inside overpressure.



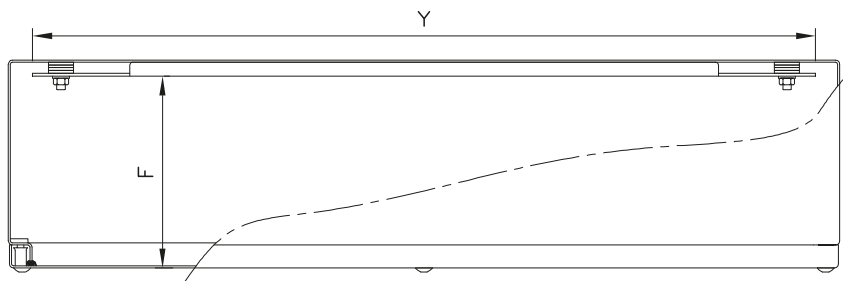
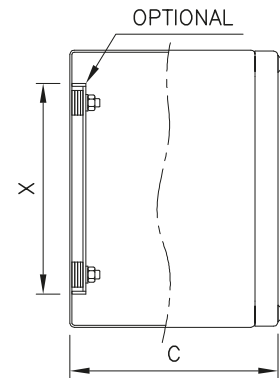
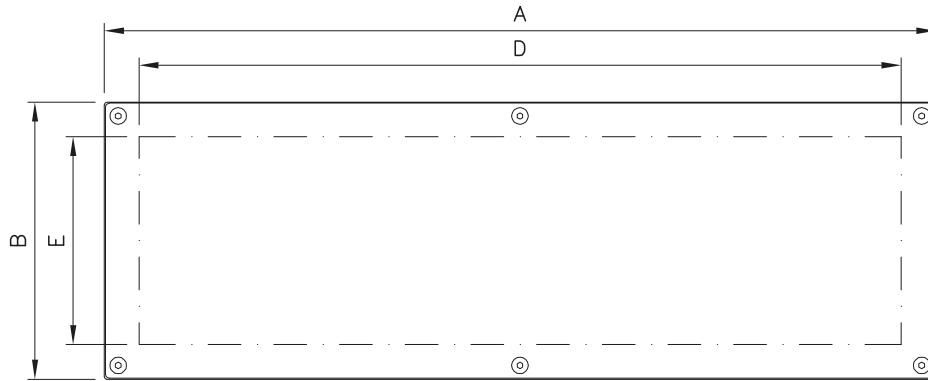
## PUSHBUTTONS PS



Detailed drawings per each box can be downloaded from our site [www.ilinox.com](http://www.ilinox.com)

	<b>IP69K</b>	<b>IP66</b>	EN 60 529
 <b>US LISTED</b> FILE N° E237618	<b>TYPE NEMA</b>	<b>4X, 12, 1, 4</b>	Standard UL508A - UL50 Standard 250
			EN 60204-1 89/392/EEC

ITEM	OUTSIDE SIZES			USEFUL SURFACE			CENTRE DISTANCE		MATERIAL		INNER PLATE (OPTIONALS)		
	A	B	C	D	E	F	M	N	TYPE	THICKNESS	ITEM	X	Y
PS12H/304	270	190	100	230	150	90	50	60	Type 304L	12/10	PI012	252	150
PS16H/304	270	240	100	230	200	90	50	60	Type 304L	12/10	PI016	252	200
PS12H/316	270	190	100	230	150	90	50	60	Type 316L	15/10	PI012	252	150
PS16H/316	270	240	100	230	200	90	50	60	Type 316L	15/10	PI016	252	200

UL certification to be requested with the order



	<b>IP69K</b>	<b>IP66</b>	EN 60 529
	<b>TYPE NEMA</b>	<b>4X, 12, 1, 4</b>	Standard UL508A - UL50 Standard 250
	<b>IK10</b>		EN 60204-1 89/392/EEC

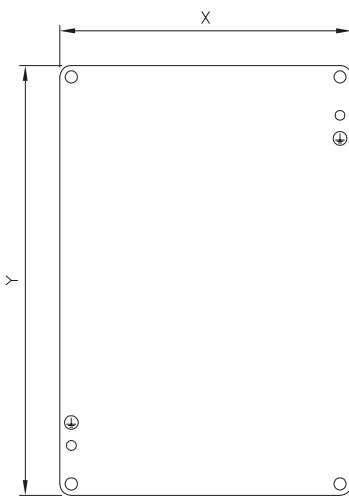
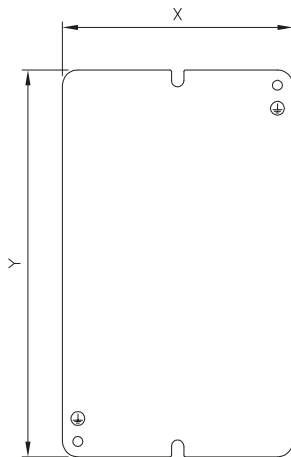
## JUNCTION BOXES DS

Detailed drawings per each box can be downloaded from our site [www.ilinox.com](http://www.ilinox.com)

ITEM.	OUTSIDE SIZES			USEFUL SURFACE			MATERIAL		INNER PLATES (OPTIONALS)		
	A	B	C	D	E	F	TYPE	THICKNESS	ITEM	X	Y
DS012/304	270	190	125	230	150	115	Type 304L	12/10	PI012	252	150
DS016/304	270	240	125	230	200	115	Type 304L	12/10	PI016	252	200
DS020/304	320	230	150	280	190	140	Type 304L	12/10	PI020	280	190
DS025/304	320	280	150	280	240	140	Type 304L	12/10	PI025	280	240
DS043/304	400	300	150	360	260	140	Type 304L	12/10	PI043	360	260
DS010/316	210	210	125	170	170	115	Type 316L	15/10	PI010	192	170
DS012/316	270	190	125	230	150	115	Type 316L	15/10	PI012	252	150
DS016/316	270	240	125	230	200	115	Type 316L	15/10	PI016	252	200
DS020/316	320	230	150	280	190	140	Type 316L	15/10	PI020	280	190
DS025/316	320	280	150	280	240	140	Type 316L	15/10	PI025	280	240
DS040/316	400	200	150	360	160	140	Type 316L	15/10	PI040	360	160
DS060/316	600	200	150	550	150	140	Type 316L	15/10	PI060	565	152

NOTES: DS006 e DS016 n. 2 stud bolts for fixing DIN bar or inner plate.  
From DS020 to DS060 n. 4 stud bolts for fixing inner plate.

UL certification to be requested with the order

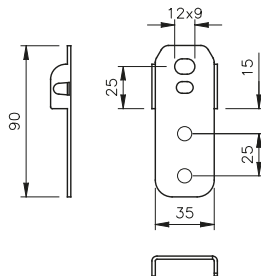


### INNER PLATES

Available starting from models PS02, DS02, PE02, DE02, PEC03 and PEC04, they come in sendzimir execution and, on demand, in s/s. The plate is secured by the stud bolts set inside the enclosure.

ITEM	SIZES		MATERIAL	FOR BOX
	X	Y		
PI02A	62	112	SENDZIMIR	PE02 - DE02 - PEC03 - PEC04
PI03A	62	172	SENDZIMIR	PE03 - DE03 - PEC05 - PEC06V
PI04A	102	122	SENDZIMIR	PE04 - DE04 - PEC060
PI06A	162	122	SENDZIMIR	PE06 - DE006
PI09A	182	162	SENDZIMIR	PE09 - DE09
PI010	192	170	SENDZIMIR	DS010
PI012	252	150	SENDZIMIR	PS012 - DS012
PI016	252	200	SENDZIMIR	PS016 - DS016

ITEM	SIZES		MATERIAL	FOR BOX
	X	Y		
PI020	280	190	SENDZIMIR	DS020
PI025	280	240	SENDZIMIR	DS025
PI040	360	160	SENDZIMIR	DS040
PI043	360	260	SENDZIMIR	DS043
PI060	565	152	SENDZIMIR	DS060



### WALL-MOUNT FASTENERS

TYPE 316 s/s execution, they come in assembling kit and can easily be applied by drilling two holes  $\varnothing 8$  in the enclosure bottom. Water proofing and tightness to dust remains unchanged since they are equipped with suitable seals.

- **SPO21** – 2 pcs kit.
- **SPO25** – 4 pcs kit (for DS040, DS043, DS060)

### OTHER ACCESSORIES

IN THE SECTION "ACCESSORIES FOR SMALL CABINETS"

#### Cable Glands



#### Grip Handles



IN THE SECTION "ACCESSORIES FOR CABINETS"

#### Electroconductive Gasket





## **Our secret? Help you in saving money over time.**

---

### **Actual saving through premium quality performances consistent over time.**

Long-lasting efficiency and superior performance of our products for real cost-efficiency. Few and simple maintenance interventions, same as cleanability and sanitary grade, unique features of stainless steel. Ilinox technological know how and skill does not fear time going by: our products are engineered and manufactured to last and keep yielding the maximum.