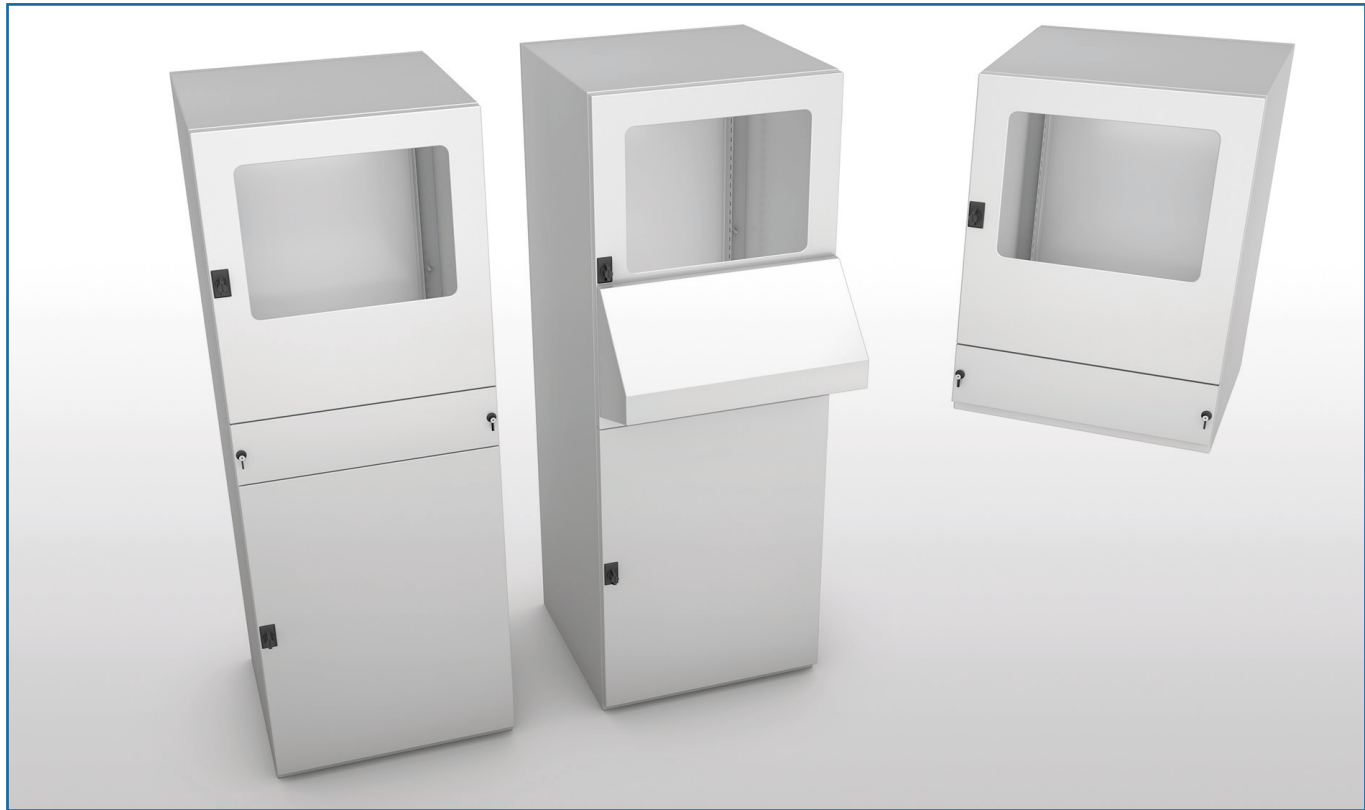


PRODUCT	PAG.
COMPUTER CABINETS & LECTERNS	
Computer cabinets APC	70
Accessories for Computer cabinets	73
Console CS	76
Lecterns QP	78
Accessories for Lecterns	80

2

# COMPUTER CABINETS & LECTERNS



CASTERS



PULL-OUT SHELF



EXTRACTABLE PLANE FOR KEYBOARD



FIXED CONSOLE



### COMPUTER CABINET APC

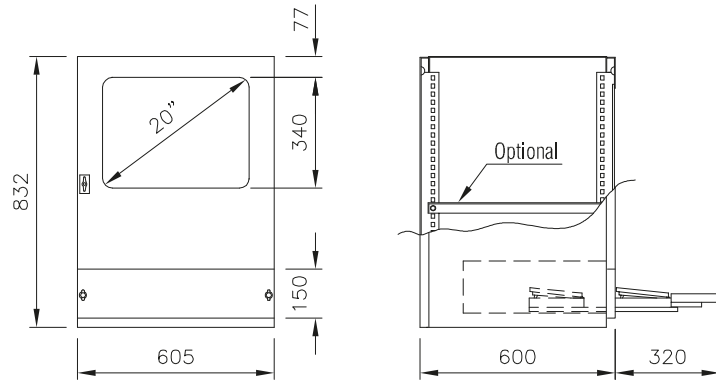
- Made of EN 1.4307 (TYPE 304L) s/s, satin- finishing (roughness Ra < 0.38 micron).
- Self-bearing frame, closed, welded in inert atmosphere. All edges feature 25 mm spaced drills to accommodate front setting M8 and M6 cages for accessories fixing.
- Right-hand hinged front doors, s/s inner hinges. 120° opening as per CE EN 60204-1. The upper door is for video protection and includes a laminate safety glass, 3+3 mm thick for videos ranging from 14” to 20” in size depending on the type and position of the screen. The lower door is full and rests 28 mm above the frame bottom edge to allow easy opening even when no skirting plate, feet or wheels are installed.
- The locks are of the multi-point ratched type, with steel rods and wing nut keylocks.
- Bolted rear panel, fitted with special sucker-type spacers in hard rubber as tightness and leak-proof seal. The rear panel can be replaced by a hinged door, on request.
- Protection degree: IP65
- Heat dissipation: when the operating conditions are not too heavy (one PC with screen and printer for a total of 300 W), with  $\Delta t$  15°C and 3 sides and the ceiling of the cabinet free, the surface can dissipate all of the installed power. For more detailed calculations, see section “CONDITIONING AND VENTILATION”.



### COMPUTER CABINETS APC608TE

Single front door base cabinet with pull-out keyboard table and no lower compartment for printer.

The pull-out table, for keyboard fixing (max sizes 480x190 mm) when in the open position allows the use of the keyboard while maintaining the IP20 protection degree for the cabinet. The front board of the pull-out table, tilting, can be used as mouse rest.



 **IP65** EN 60 529

 EN 60204-1 89/392/EEC

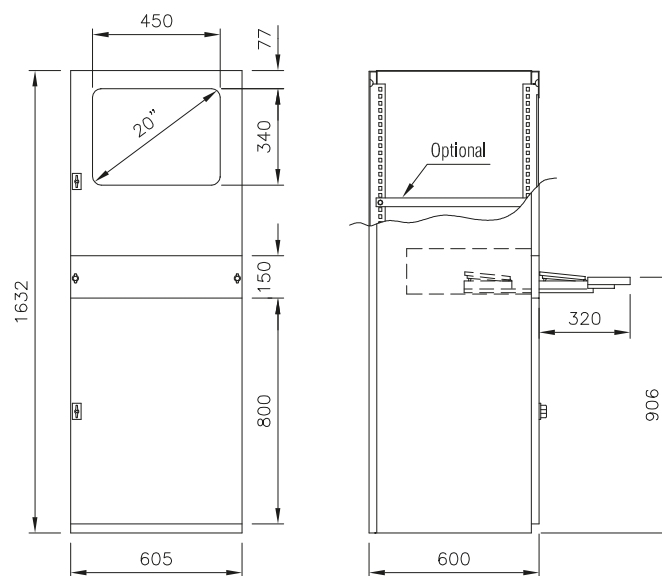


### COMPUTER CABINETS APC616TE

Two front doors base cabinet with pull-out keyboard table and lower compartment for printer housing.

The pull-out plane, for keyboard fixing (max sizes 480x190 mm) when in the open position allows the use of the keyboard while maintaining the IP20 protection for the cabinet. The front board of the pull-out panel, tilting, can be used as mouse rest.

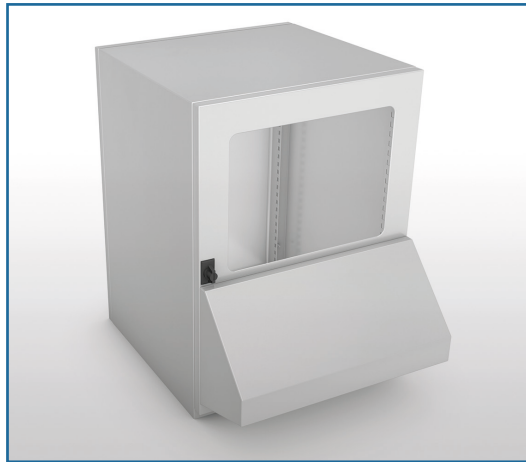
The lower compartment can accommodate shelves, drawers, inner plates or 19" rack section irons, all optional and available on request.



 **IP65** EN 60 529

 EN 60204-1 89/392/EEC

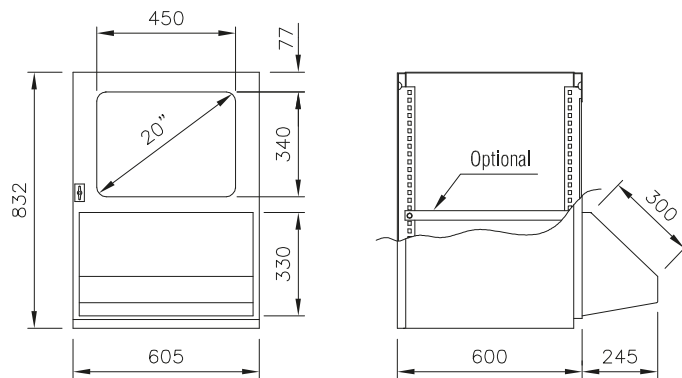
# COMPUTER CABINETS & LECTERNS



## COMPUTER CABINET APC608C

Single front door cabinet, with fixed console and without lower compartment for printer.

The console can be used to support exposed conventional keyboards or to accommodate recessed industrial keyboards (the console is usually delivered blind: drilling, if the need be, is possible if requested with the order).



IP65 EN 60 529



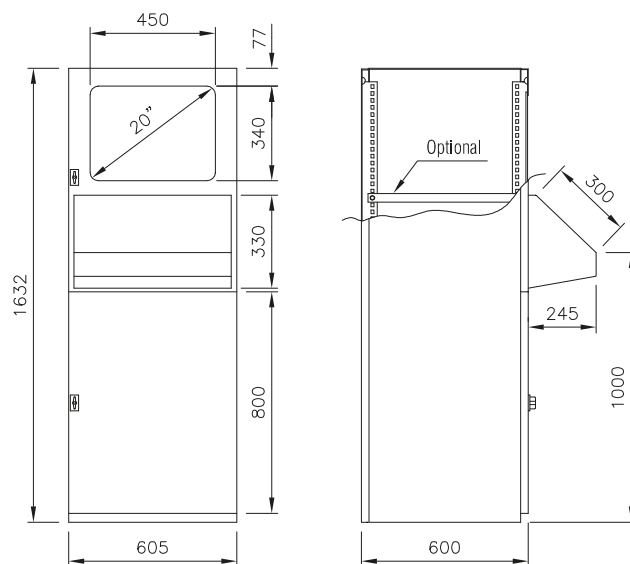
EN 60204-1 89/392/EEC



## COMPUTER CABINETS APC616C

Base cabinet with two front doors, fixed console and lower compartment for printer.

The console can be used to support exposed conventional keyboards or to accommodate recessed industrial keyboards (the console is usually delivered blind: drilling, if the need be, is possible if requested with the order).



IP65 EN 60 529



EN 60204-1 89/392/EEC



#### PAIR OF STIRRUPS FOR VIDEO FIXING ASV

Designed to secure the base of the tabletop videos to the rest surface. Suitability should be checked before purchase, making sure the base of the video is sturdy enough to allow securing it, and the sizes are appropriate.

- **ASV** – video fixing stirrup



#### HORIZONTAL PARTITIONS ASP066

TYPE 304 s/s execution, pre-drilled for cable passage between the two compartments. Protection degree IP20. The very stiff structure makes it suitable for use as support plane, too.

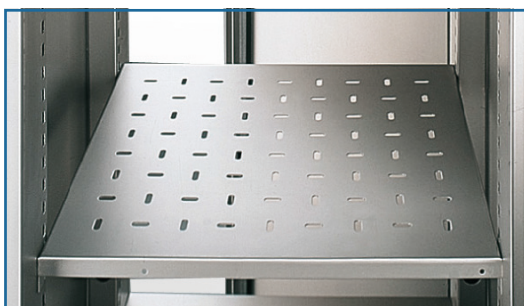
- **ASP066** – horizontal partition.



#### PULL-OUT SHELF APE66

Pull-out drilled shelf for cabinet 600 x 600 mm. Same features as the shelf above, set on fully pull-out guides, it is the ideal housing for cut-sheet printers fitted with paper tray, or for lined printers with printer holder (from computer shops). Shelf capacity 45 Kg.

- **APE66** - pull-out plane.



#### FIXED SHELF APF66

To support screens, CPU, fixed printers and all that doesn't require frequent pulling out; drilled slots to allow fixing the elements to be supported as well as improve air flow inside the cabinet. Installation by screws delivered with the cabinet that, by matching the vertical slots with the slots in the uprights enable a perfect adjustment on the whole length.

- **APF66** – fixed plane

## COMPUTER CABINETS & LECTERNS



### SET OF FOUR FASTENERS FOR WALL MOUNT SP020

Fit for application on cabinets with rear panel, they are supplied on request with cabinets It. APC608C and APC608TE.

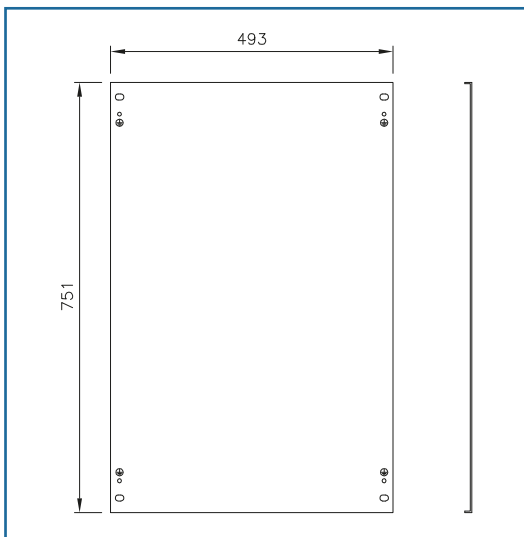
- **SP020** - no. 4 fasteners for wall mount



### REAR DOOR P0616S

TYPE 304 s/s execution, fine satin-finished and protected, it can replace the rear panel in Items APC616C and APC616TE.

- **P0616S** - rear door



### INNER PLATE PA0575

Inner plate for lower compartment, to be secured to the most backwards part of the cabinet, it features flanged edges. The plate cannot be used when extractable shelves and/or printer drawer are installed.

- **PA0575** - inner plate



### SET OF CASTERS RPF080

No. 4 grey rubber casters, two of which have a double-action brake. TYPE 304 s/s support. Capacity 50 kg each wheel.

- **RPF080** - kit n. 4 casters

ACCESSORIES FOR COMPUTER CABINETS

Adjustable Feet



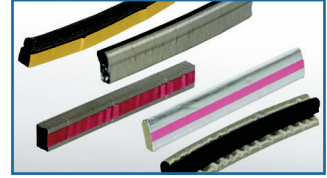
Skirting



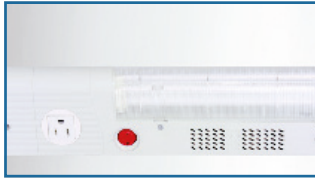
Diagram Holding Pockets



Electroconductive Gasket



Lamps



Taps



IN THE SECTION "ACCESSORIES FOR CABINETS"

Cable Glands



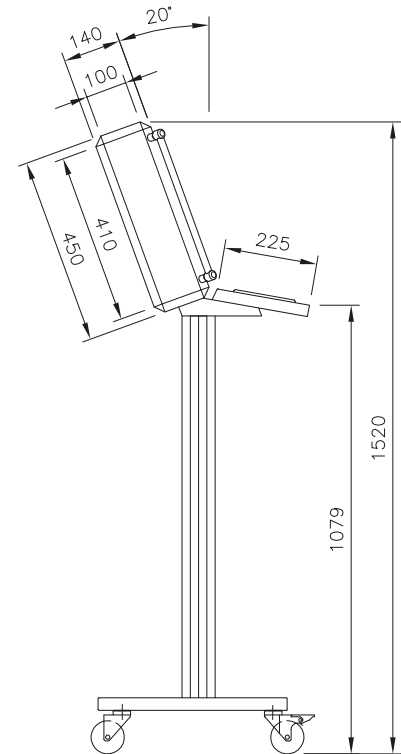
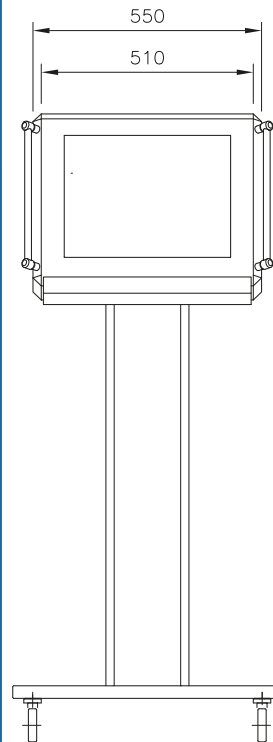
IN THE SECTION "AIR CONDITIONING"

Air Conditioning



Ventilation





CONTROL BOX



PLANE FOR KEYBOARD



PEDESTAL



HANDLE



### CONSOLE CSD550J

The console CSD550J is formed by modular elements:

- control box
- keyboard rest
- pedestal with casters
- handles for displacement.

The absence of sharp corners, the ergonomic line, make this item fit for use in environments where stringent hygienic-sanitary standards must be complied with.

The console being formed by various elements, it can be configured in different ways according to the need; for instance, without wheels, or without keyboard rest; also, the order can be placed for the control boxes only, to be combined with a hanging system.

All EN 1.4307 (TYPE 304L), s/s execution, EN 1.4404 (TYPE 316L), s/s satin finished scotch brite available on request.

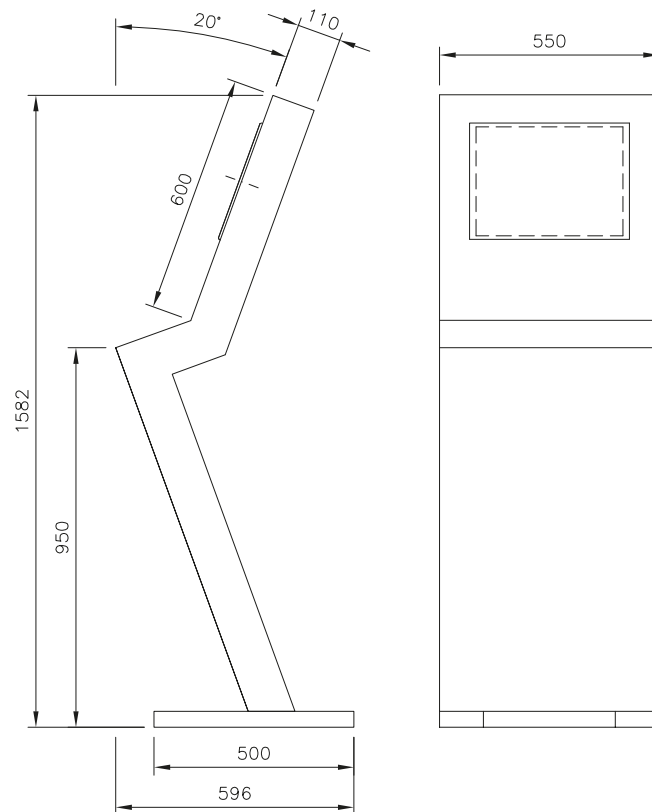
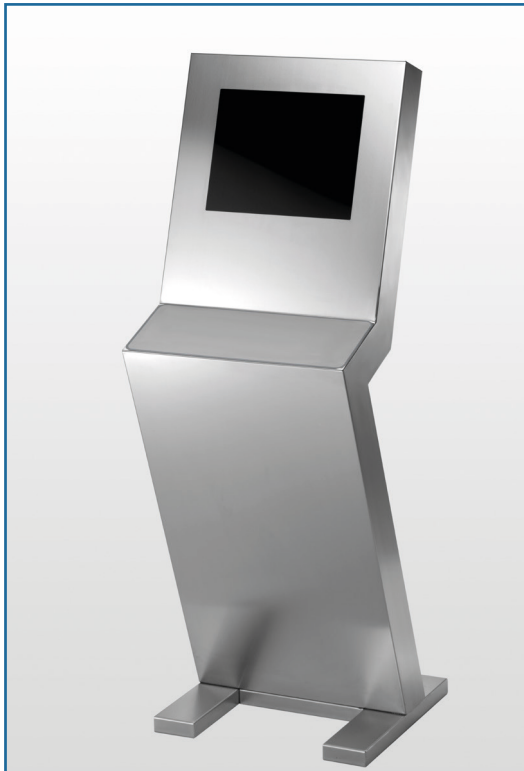
The box can accommodate an operator interface maximum dimensions 450x350x120 mm.; accessibility to the rear area is assured by a bolted panel.

Opening at the bottom of the column for an eventual cables entry.  
Silicone seal.

Dimensions other than the standard ones are available on request.

Protection degree IP54 to EN 60 529.





### CONSOLE CSD550Z

EN 1.4307 (TYPE 304L) s/s execution, satin-finished scotch brite and protected, EN 1.4404 (TYPE 316L), s/s execution available on request; provided blind and on demand with drawing split or porthole of required dimensions (maximum dimensions 480x530x90 mm). Possibility of installing an eventual keyboard.

Smart, compact and essential, no flat surfaces to avoid filth build-up while facilitating clearing; rear area accessible by taking down a bolted panel.

The rest base, which provides stability, is prearranged for the application of casters.

Silicone seal.

Dimensions other than the standard ones are available on request.

Protection degree IP44 to EN 60 529; higher protection degrees available on request.



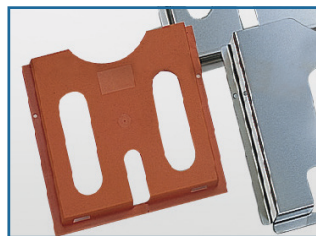
SKIRTING



ELECTROCONDUCTIVE GASKET



DIAGRAM HOLDING POCKETS

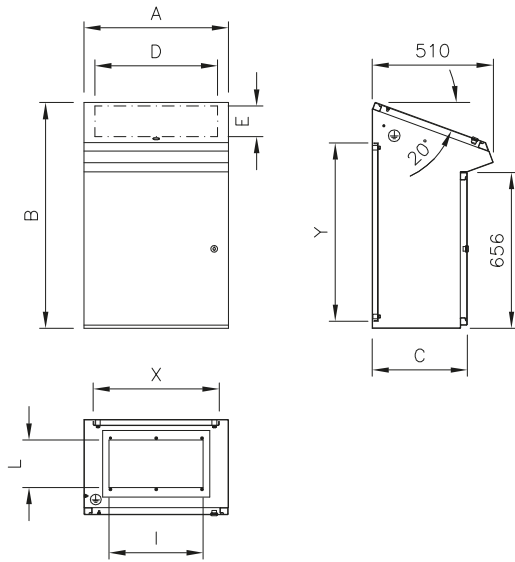


ADJUSTABLE FEET



## LECTERNS

- Material: EN 1.4307 (TYPE 304L) s/s satin-finished scotch brite and protected on one side, thickness: doors 20/10 envelope 15/10.
- Enclosure obtained from a single sheet.
- Fairlead plates with seal.
- Full doors, top opening with supporting rods (for L.1200 and L.1600 n.2 supporting rods).
- Box-type door locks with 3-point transmission rods.
- Inner hinges, s/s execution, 120° opening as per CEI EN 60204-1 recommendations.
- Foamed polyurethane seal.
- Inner plate made of EN10142 sendzimir galvanized sheet, secured to the bottom of the enclosure by s/s stud bolts and supported by suitable ABS rests that relieve the stud bolts of the weight of the plate and of the equipment fitted.
- Prearranged for earthing according to the regulations in force.
- Protection degree IP66 for single door lecterns, IP65 for 2-door lecterns.



ITEM	OUTSIDE SIZES			USEFUL SURFAACE		CABLE WAY		INNER PLATE	
	A	B	C	D	E	I	L	X	Y
QP0600	608	950	400	516	375	396	200	530	750
QP0800	808	950	400	716	375	596	200	730	750
QP1000	1008	950	400	916	375	796	200	930	750

IP66 EN 60 529



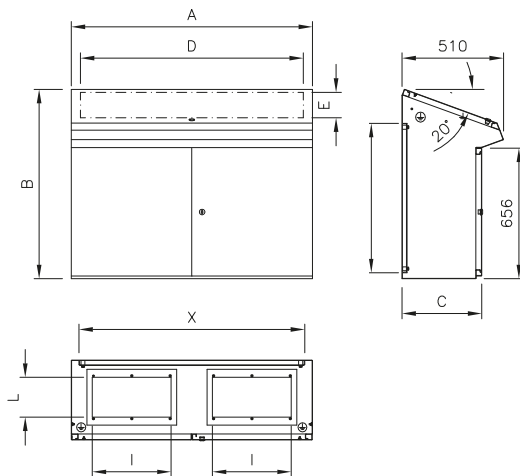
TYPE NEMA 4X, 12, 1, 4

Standard UL508A - UL50  
Standard 250



EN 60204-1  
89/392/EEC

UL certification to be requested with the order

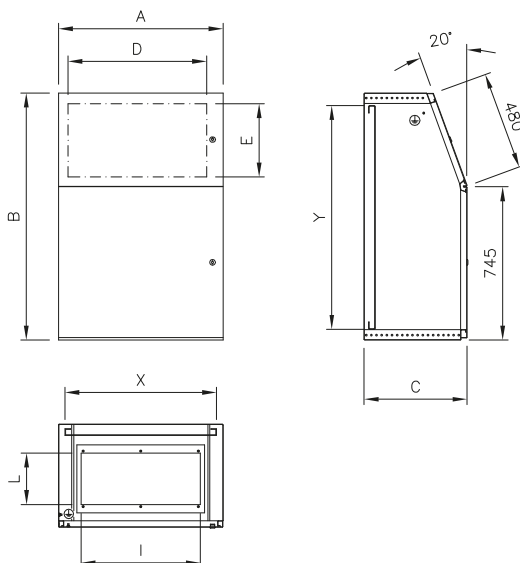


ITEM	OUTSIDE SIZES			USEFUL SURFAACE		CABLE WAY		INNER PLATE	
	A	B	C	D	E	I	L	X	Y
QP1200	1211	950	400	1119	375	396	200	1113	750
QP1600	1611	950	400	1519	375	596	200	1533	750

IP65 EN 60 529



EN 60204-1  
89/392/EEC



ITEM	OUTSIDE SIZES			USEFUL SURFAACE		CABLE WAY		INNER PLATE	
	A	B	C	D	E	I	L	X	Y
QP0612	600	1200	500	474	380	380	250	537	1088
QP0812	800	1200	500	674	380	580	250	737	1088

IP66 EN 60 529



EN 60204-1  
89/392/EEC

ACCESSORIES FOR LECTERNS

Adjustable Feet



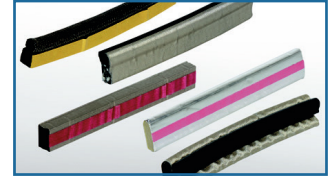
Skirting



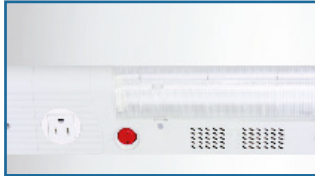
Diagram Holding Pockets



Electroconductive Gaskets



Lamps



Taps



IN THE SECTION "ACCESSORIES FOR COMPUTER CABINETS"

Casters



IN THE SECTION "ACCESSORIES FOR SMALL CABINETS"

Cable Glands



Over-Doors



Gas-Operated Springs



Grip Handles



IN THE SECTION "AIR CONDITIONING"

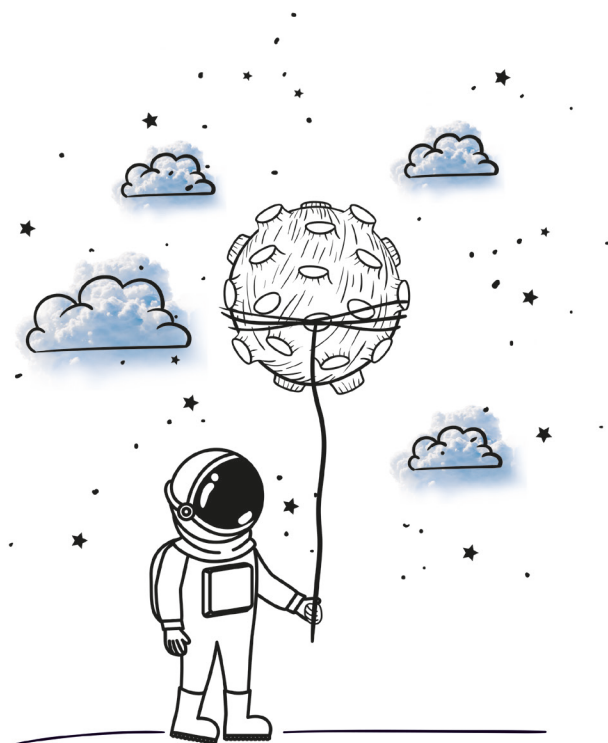
Air Conditioning



Ventilation







## From the Earth to the Moon. Your long-lasting guarantee.

---

### **Ilinox exclusive guarantee.**

The most extended available on the market.

A longer-lasting safe buy.

We feel so confident about the quality of our product over time that we offer unsurpassed guarantee extension.

Ask us and we will surprise you.