

Control box BK
pag.1

Control box BC
pag.3

Hanging systems
pag.5

5. CONTROL BOX & HANGING SYSTEMS



• OPERATOR INTERFACE

• SUSPENSION SYSTEM

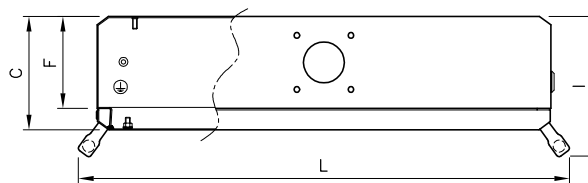
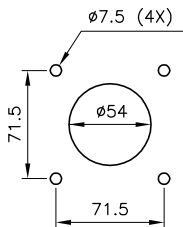
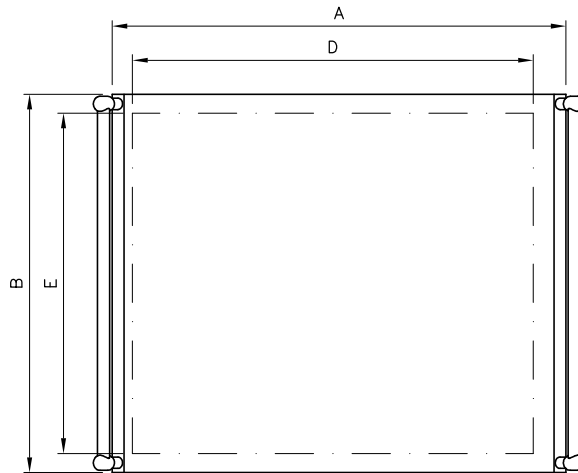
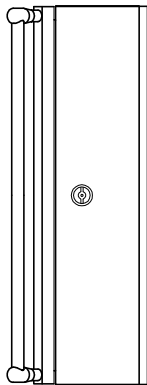
• SUSPENSION SYSTEM

• WIRED BK CONTROL BOX



CONTROL BOX SERIES BK

- EN 1.4301 (AISI 304) s/s execution, finely satin-finished and protected.
- Enclosure obtained from a single sheet, thickness 15/10 shaped by multiple bends of the front edge, door with radial corners.
- Enclosures drilled for the assembling of articulated arms type TJ-TS-TL with rotary joint code GKS.
- Full door, hinged, side lock to take maximum advantage of the drilling space.
- Inner plate not provided.
- Ergonomic grip handles, AISI 304 s/s, available on request.
- Inner hinges, s/s: 120° opening as per CEI EN 60204-1 recommendations
- Foamed polyurethanic bi-component seal
- Prearranged for earthing according to the regulations in force.
- Protection degree IP66
- Twin-comb lock of the standardized type Ø 3 for Low Voltage, s/s outside.
- Joint GKS included



UL US LISTED
FILE N° E237618

IP66

EN 60 529 EN 60 529/AI

CE

EN 60-204-1 89/392/EEC

Detailed drawings per each cabinet can be downloaded from our site www.ilinox.com

| ITEM | outside sizes | | | useful surfaces | | | overall dim. with handles | |
|-------|---------------|-----|-----|-----------------|-----|-----|---------------------------|-----|
| | A | B | C | D | E | F | I | L |
| BK33M | 350 | 300 | 130 | 280 | 250 | 102 | 165 | 400 |
| BK43M | 450 | 350 | 130 | 380 | 300 | 102 | 165 | 500 |
| BK44M | 450 | 450 | 130 | 380 | 400 | 102 | 165 | 500 |
| BK54M | 520 | 450 | 130 | 450 | 400 | 102 | 165 | 570 |
| BK55M | 500 | 500 | 130 | 430 | 450 | 102 | 165 | 550 |
| BK65M | 600 | 500 | 150 | 530 | 450 | 122 | 185 | 650 |
| BK33 | 350 | 300 | 130 | 280 | 250 | 102 | not present | |
| BK43 | 450 | 350 | 130 | 380 | 300 | 102 | not present | |
| BK44 | 450 | 450 | 130 | 380 | 400 | 102 | not present | |
| BK54 | 520 | 450 | 130 | 450 | 400 | 102 | not present | |
| BK55 | 500 | 500 | 130 | 430 | 450 | 102 | not present | |
| BK65 | 600 | 500 | 150 | 530 | 450 | 122 | not present | |

UL certification to be requested with the order



• SUSPENSION SYSTEM



• SUSPENSION SYSTEM



• WIRED BK CONTROL BOX

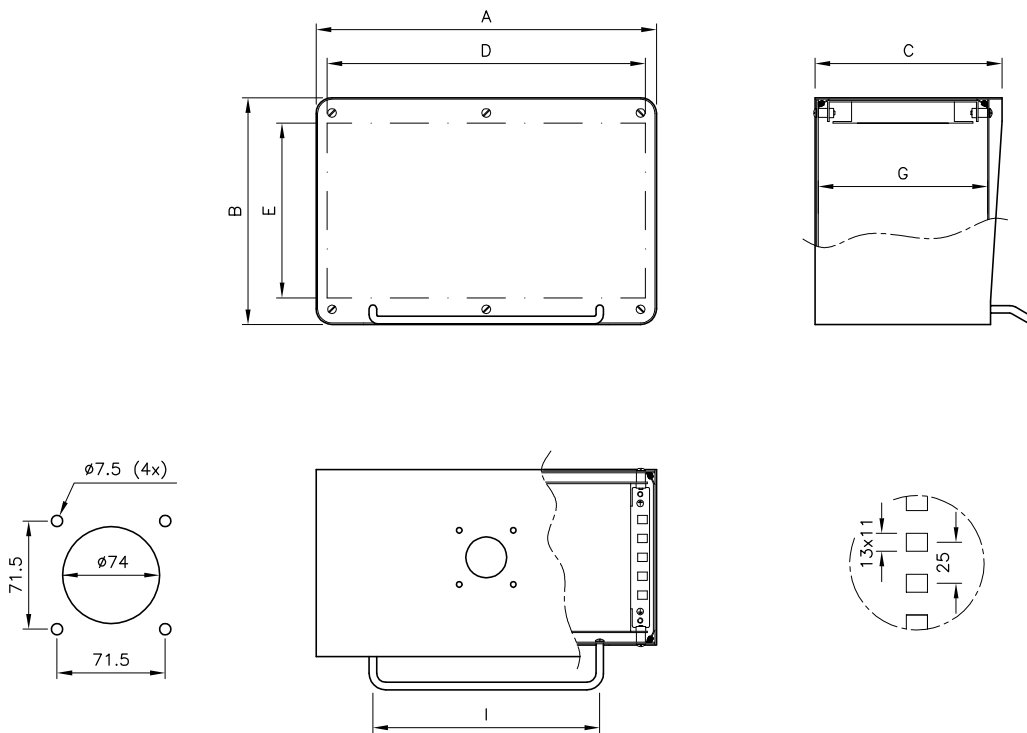


• ARTICULATED JOINT



CONTROL BOX SERIES BC

- EN 1.4301 (AISI 304) s/s execution, finely satin-finished. On demand they can be made from different types of stainless steel and can be customized.
- Enclosures formed by an outside casing made from a single bent sheet, thickness 20/10 with rounded corners, and an inside casing sealed by a special gasket assuring the expected protection degree. The upper part is drilled to allow installation of articulated arms type BJ-BS-BL. When the prearranged drilling is not used, the plug Item TCB, AISI 304 s/s execution can be supplied on demand.
- Two stiffening plates, sendzimir execution, properly shaped and drilled, are set in the upper and lower parts of the enclosure for improved stiffness and to allow the assembling of supports, raceways and inner plates.
- Front and rear panels, full, made of flat s/s sheet, 2 mm thick, and are fixed to the enclosure by special Polier M4 screws, complete with underhead Teflon washer.
- Handle made of s/s rod, on the front panel.
- Pre-arranged for earthing in compliance with the regulations in force.



IP65 EN 60 529

CE EN 60-204-1 89/392/EEC

Detailed drawings per each cabinet can be downloaded from our site www.ilinox.com

| ITEM | outside sizes | | | useful surfaces | | | overall dim. with handles |
|----------|---------------|-----|-----|-----------------|-----|-----|---------------------------|
| | A | B | C | D | E | G | I |
| BC32/304 | 350 | 225 | 215 | 319 | 156 | 190 | 200 |
| BC43/304 | 450 | 300 | 245 | 419 | 231 | 220 | 300 |
| BC53/304 | 525 | 350 | 315 | 494 | 281 | 290 | 300 |
| BC64/304 | 600 | 400 | 395 | 569 | 331 | 370 | 300 |

The assembly of the joints is very simple, it is not necessary to weld them: that's allows fast delivery and assembly by the customer



• BRACKET GL60

• SUSPENSION SYSTEM

• ARTICULATED JOINT

• ARTICULATED JOINT

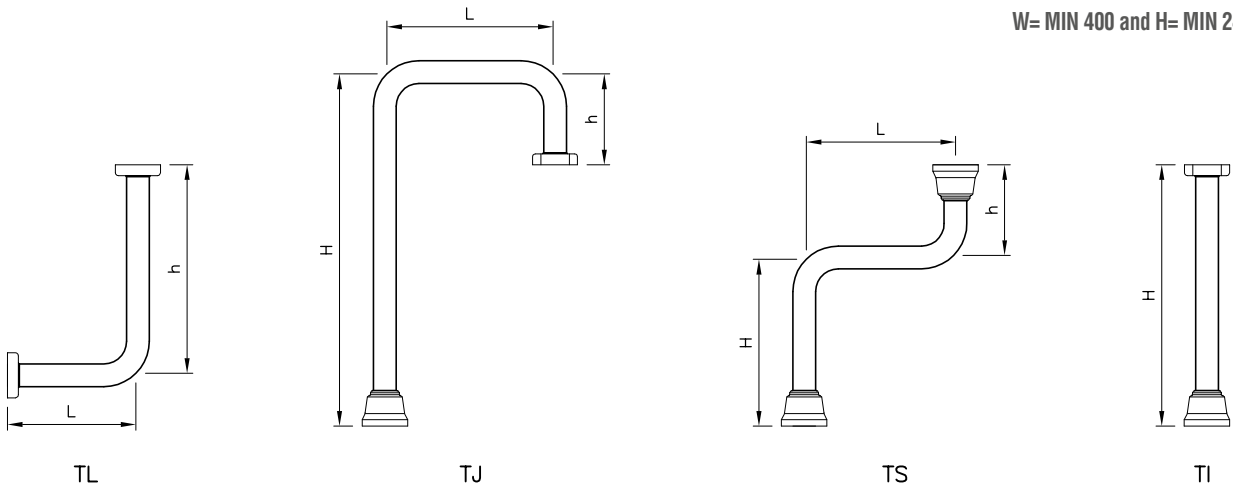


ARTICULATED ARMS SERIES TL - TJ - TS - TI

- EN 1.4301 (AISI 304) s/s tube execution, Ø. 60.3 thick.3, satin-finish: on demand polish or micro-peening finish available
- Available bent to "L", "J" or "S" shape, or "I" shape.
- Some widths are preset and available from the stock (see table), other sizes are available on demand.
- Fixed or articulated joints can be set on the ends, to meet different needs.
- The arm is usually delivered with joints on. Since the GKS and GCS joint can be installed without welds, they can be fitted directly by customer after adjusting the arm to its needs.

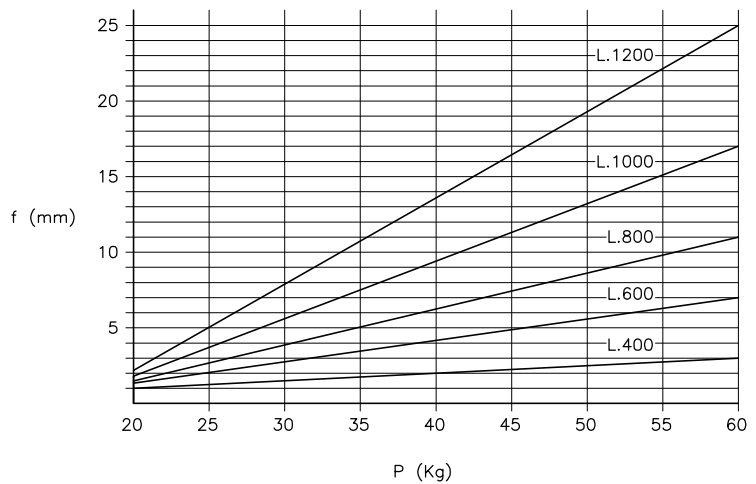
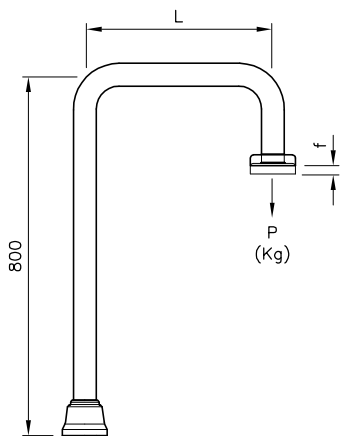
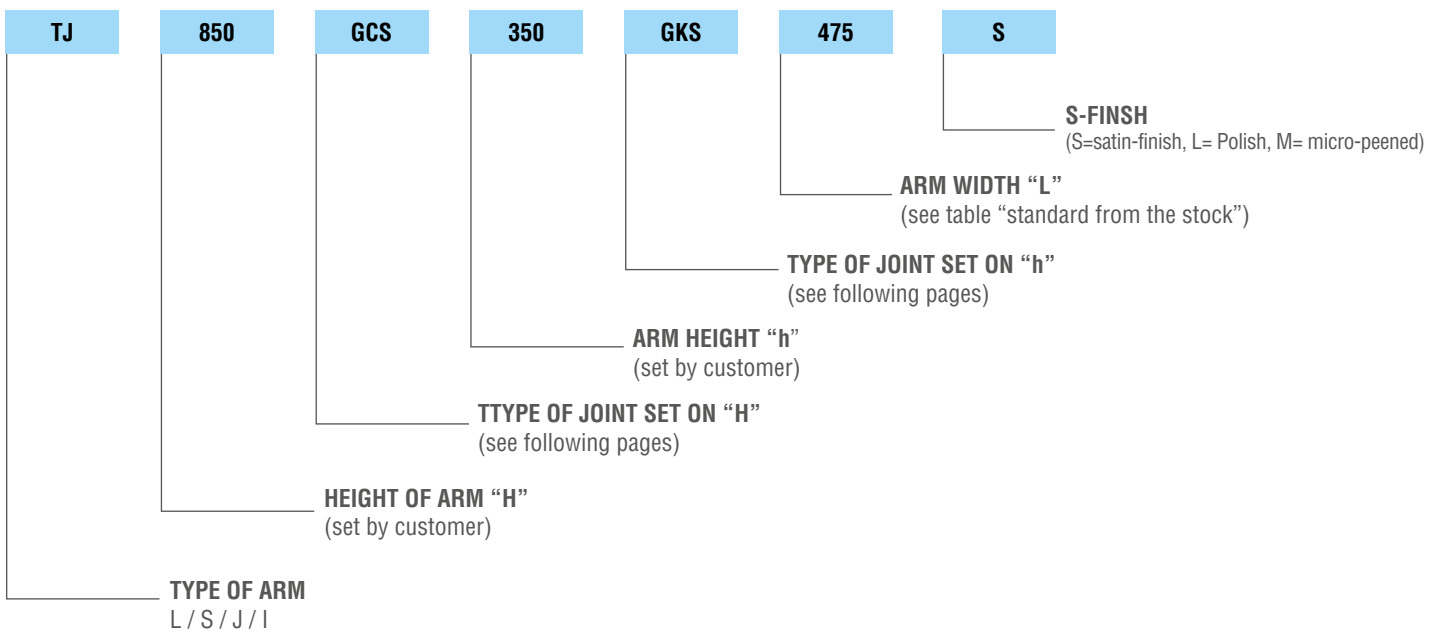
NOTE: if the arm is expected to support any item other than our boxes series BC-BK, the stiffness of the wall to be supported needs checking.

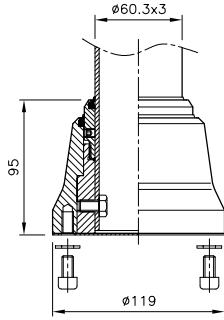
W= MIN 400 and H= MIN 240



Standard sizes from the stock: L= 400 – 475 – 550 – 625 – 700 – 775 without size limits for H and h.
Other sizes available on demand

ORDERING CODE IDENTIFICATION TABLE





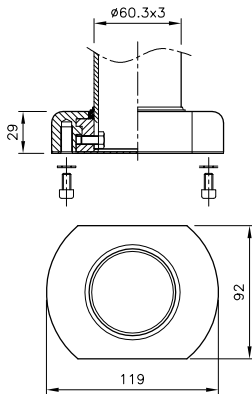
ARTICULATED JOINT GCS

EN 1.4301 (AISI 304) s/s execution, complete with seal to guarantee tightness.

The special form and the manufacturing criteria guarantee high stiffness and make it suitable for use either at the bottom of the arm or for coupling with big-sized control boxes or bottom-supported ones. The frame on which the joint is to be fastened must be very stiff. Since the joint can be installed without welds, it can be assembled directly by customer after adjusting the arm to its needs.

The rotation angle can be limited to 85°, 175°, 265° or 355°.

- GCS Universal articulated joint



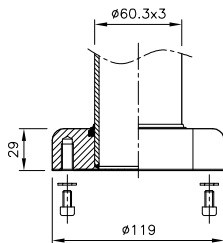
ARTICULATED JOINT GKS*

EN 1.4301 (AISI 304) s/s execution, complete with gaskets to guarantee tightness, its simple and unitized shape makes it particularly for coupling with hanging control boxes.

The joint does not require any weld, hence it can be installed directly by customer after adjusting the arm to its needs.

Comes complete with a retainer that limits its rotation to 85° - 175° - 265° - 355°.

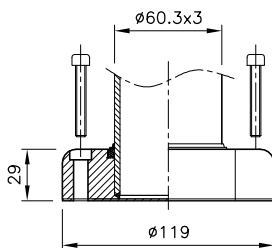
- GKS articulated joint for coupling with control boxes



FIXED JOINT FOR BOTTOM FASTENING GKFI*

EN 1.4301 (AISI 304) s/s execution, to be used when rotation is not required. Securing to the arm by welding is required to assure maximum stiffness. It has to be fastened from the inside of the frame on which it is set.

- GKFI – fixed joint to weld, inside fastening

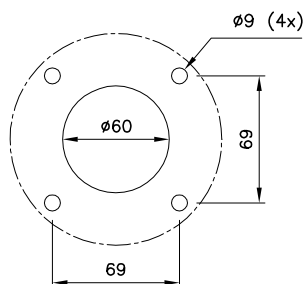


FIXED JOINT FOR OUTSIDE FASTENING GKFE*

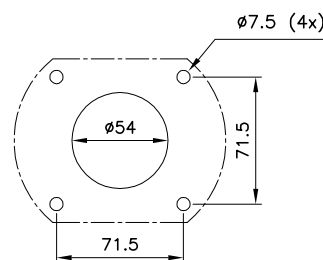
EN 1.4301 (AISI 304) s/s execution, for use when rotation is not required. To be fixed to the arm by welding to assure maximum stiffness. Can be fixed from the outside of the frame on which it is set.

- GKFE – fixed joint to weld, outside fastening

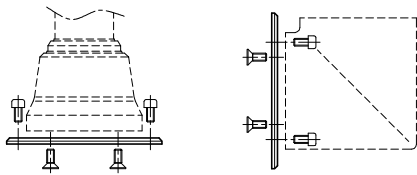
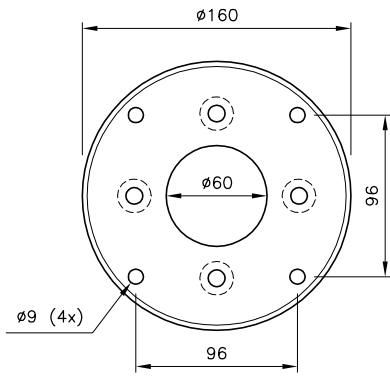
DRILLING TEMPLATE



- TEMPLATE GCS



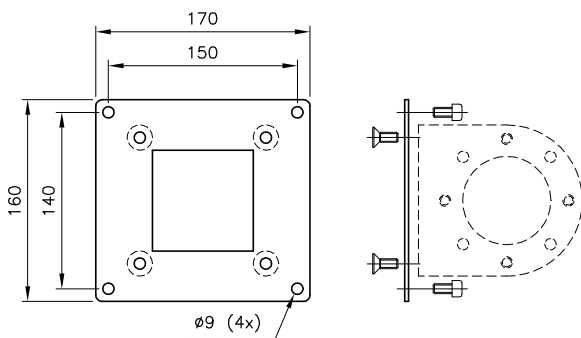
- TEMPLATE GKS - GKSI - GKSE



OUTSIDE FIXING FLANGE FFS

Adaptation flange, EN 1.4301 (AISI 304) s/s execution to allow fixing the joint and the GL60 bracket from the outside.

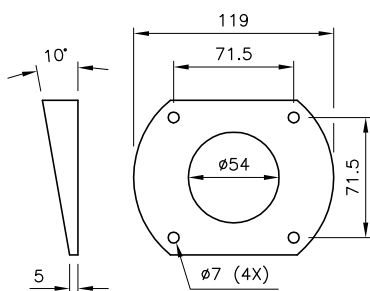
- **FFS** – flange for outside fixing of joints and bracket GL60



FLANGE FOR BRACKET OUTSIDE FIXING FFM

Adaptation flange, EN 1.4301 (AISI 304) s/s execution to fix the GM60 bracket from the outside.

- **FFM** – flange for outside fixing of bracket GM60



SLOPING FLANGE AGK

For use joint with the GK joints when the control box needs 10° tilting to make it ergonomic. EN 1.4301 (AISI 304) s/s execution, it comes complete with seal and fastening screws.

- **AGK** – adaptation flange for 10° box tilting



BRACKET GM60

All EN 1.4301 (AISI 304) s/s execution, polished, sturdy and mirror or satin. To be bolted, after assembling the articulated joint with the arm, from the inside of a stiff frame. This kind of assembling avoids the presence of exposed screws and assures maximum hygienic conditions; when this is not possible, combine it with the FFM flange for outside fixing.

- **GM60** – rounded bracket mirror
- **GM60S** – rounded bracket satin

