

Computer cabinets APC
pag.1

Accessories for computer cabinets
pag.4

Console CS
pag.7

Lecterns QP
pag.9

Accessories for lecterns
pag.11

2. COMPUTER CABINETS AND LECTERNS



• CASTERS



• APE66



• EXTRACTABLE PLANE FOR KEYBOARD



• FIXED CONSOLE



COMPUTER CABINET APC

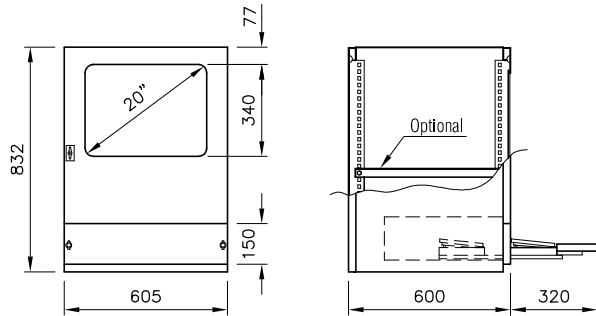
- Made of EN 1.4301 (Aisi 304) s/s, satin- finishing (roughness Ra < 0.38 micron).
- Self-bearing frame, closed, welded in inert atmosphere. All edges feature 25 mm spaced drills to accommodate front setting M5 and M6 cages for accessories fixing.
- right-hand hinged front doors, s/s inner hinges. 120° opening as per CE EN 60204-1. The upper door is for video protection and includes a laminate safety glass, 3+3 mm thick for videos ranging from 14" to 20" in size depending on the type and position of the screen. The lower door is full and rests 28 mm above the frame bottom edge to allow easy opening even when no skirting plate, feet or wheels are installed.
- The locks are of the multi-point ratched type, with steel rods and wing nut keylocks.
- Bolted rear panel, fitted with special sucker-type spacers in hard rubber as tightness and leak-proof seal. The rear panel can be replaced by a hinged door, on request.
- Protection degree: IP65
- Heat dissipation: when the operating conditions are not too heavy (one PC with screen and printer for a total of 300 W), with Δt 15°C and 3 sides and the ceiling of the cabinet free, the surface can dissipate all of the installed power. For more detailed calculations, see section "CONDITIONING AND VENTILATION"

COMPUTER CABINETS APC608TE



Single front door base cabinet with pull-out keyboard table and no lower compartment for printer.

The pull-out table, for keyboard fixing (max sizes 480x190 mm) when in the open position allows the use of the keyboard while maintaining the IP20 protection degree for the cabinet. The front board of the pull-out table, tilting, can be used as mouse rest



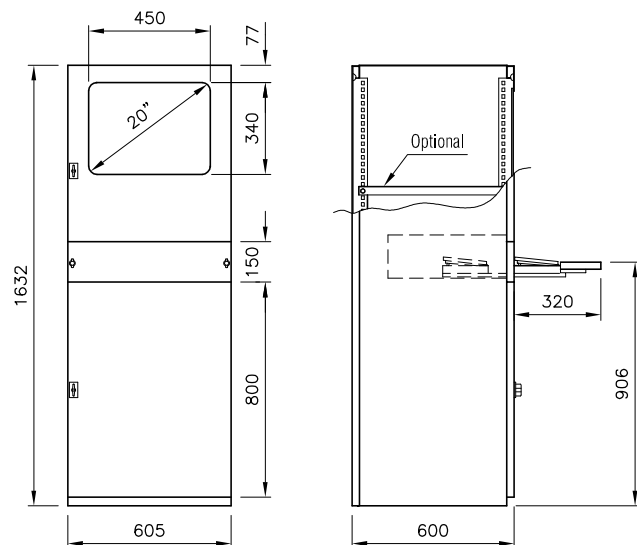
	IP65 EN 60 529
	EN 60204-1 89/392/EEC

COMPUTER CABINETS APC616TE



Two front doors base cabinet with pull-out keyboard table and lower compartment for printer housing

The pull-out plane, for keyboard fixing (max sizes 480x190 mm) when in the open position allows the use of the keyboard while maintaining the IP20 protection for the cabinet. The front board of the pull-out panel, tilting, can be used as mouse rest. The lower compartment can accommodate shelves, drawers, inner plates or 19" rack section irons, all optional and available on request.



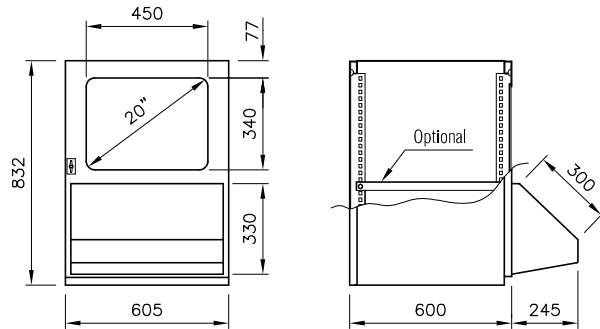
	IP65 EN 60 529
	EN 60204-1 89/392/EEC



COMPUTER CABINET APC608C

Single front door cabinet, with fixed console and without lower compartment for printer.

The console can be used to support exposed conventional keyboards or to accommodate recessed industrial keyboards (the console is usually delivered blind: drilling, if the need be, is possible if requested with the order).



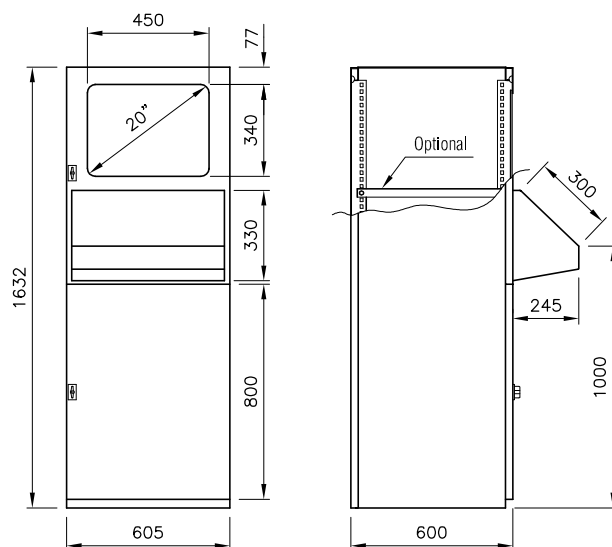
 **IP65** EN 60 529

 EN 60204-1 89/392/EEC

COMPUTER CABINETS APC616C

Base cabinet with two front doors, fixed console and lower compartment for printer.

The console can be used to support exposed conventional keyboards or to accommodate recessed industrial keyboards (the console is usually delivered blind: drilling, if the need be, is possible if requested with the order)



 **IP65** EN 60 529

 EN 60204-1 89/392/EEC



PAIR OF STIRRUPS FOR VIDEO FIXING **ASV**

Designed to secure the base of the tabletop videos to the rest surface. Suitability should be checked before purchase, making sure the base of the video is sturdy enough to allow securing it, and the sizes are appropriate.

- **ASV** – video fixing stirrup



HORIZONTAL PARTITIONS **ASP066**

AISI 304 s/s execution, pre-drilled for cable passage between the two compartments. Protection degree IP20. The very stiff structure makes it suitable for use as support plane, too.

- **ASP066** – horizontal partition



PULL-OUT SHELF **APE66**

Pull-out drilled shelf for cabinet 600 x 600 mm. Same features as the shelf above, set on fully pull-out guides, it is the ideal housing for cut-sheet printers fitted with paper tray, or for line-fed printers with printer holder (from computer shops). Shelf capacity 45 KGs

- **APE66** – pull-out plane



FIXED SHELF **APF66**

To support screens, CPU, fixed printers and all that doesn't require frequent pulling out; drilled slots to allow fixing the elements to be supported as well as improve air flow inside the cabinet. Installation by screws delivered with the cabinet that, by matching the vertical slots with the slots in the uprights enable a perfect adjustment on the whole length.

- **APF66** – fixed plane



SET OF FOUR FASTENERS FOR WALL MOUNT **SP020**

Fit for application on cabinets with rear panel, they are supplied on request with cabinets It. APC608C and APC608TE.

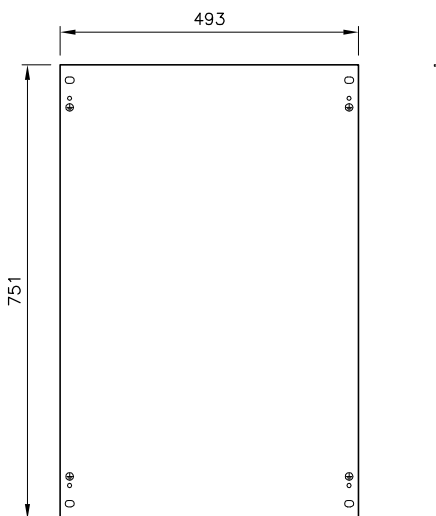
- **SP020** – no. 4 fasteners for wall mount



REAR DOOR **P0616S**

AISI 304 s/s execution, fine satin-finished and protected, it can replace the rear panel in Items APC616C and APC616TE.

- **P0616S** – rear door



INNER PLATE 500 X 750 **PA0575**

Inner plate for lower compartment, to be secured to the most backwards part of the cabinet, it features flanged edges. The plate cannot be used when extractable shelves and/or printer drawer are installed.

- **PA0575** – inner plate



SET OF CASTERS **RPF080**

No. 4 grey rubber casters, two of which have a double-action brake. AISI 304 s/s support. Capacity 50 kg each wheel

- **RPF080** – kit n. 4 casters



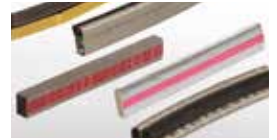
ADJUSTABLE FEET



SKIRTING



DIAGRAM HOLDING POCKETS



ELECTROCONDUCTIVE GASKET



LAMPS



TAPS

in the section “ACCESSORIES FOR CABINETS”



CABLE GLANDS

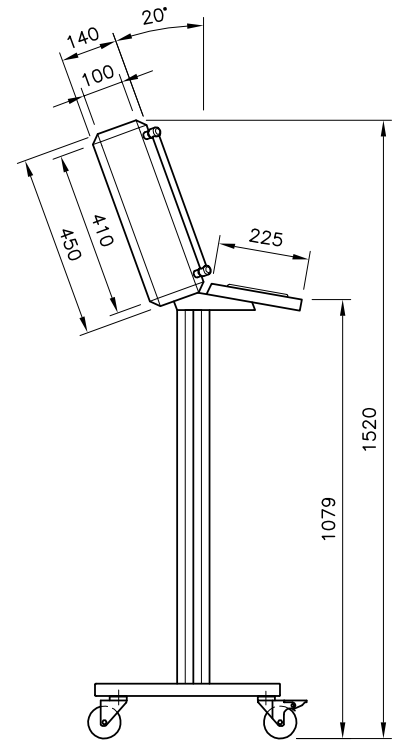
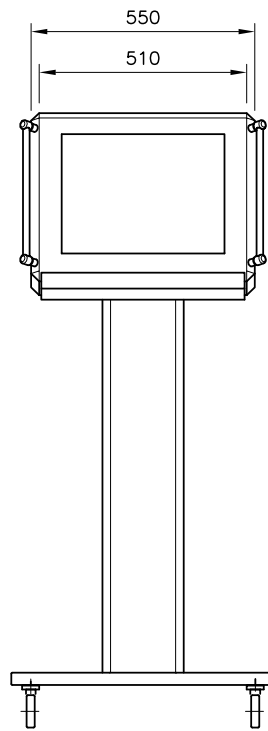
in the section “AIR CONDITIONING”



AIR CONDITIONING



VENTILATION



• CONTROL BOX



• PLANE FOR KEYBOARD



• PEDESTAL



• HANDLE



CONSOLE CSD550J

The console CSD550J is formed by modular elements:

- control box
- keyboard rest
- pedestal with casters
- handles for displacement.

The absence of sharp corners, the ergonomic line, make this item fit for use in environments where stringent hygienic-sanitary standards must be complied with.

The console being formed by various elements, it can be configured in different ways according to the need; for instance, without wheels, or without keyboard rest; also, the order can be placed for the control boxes only, to be combined with a hanging system.

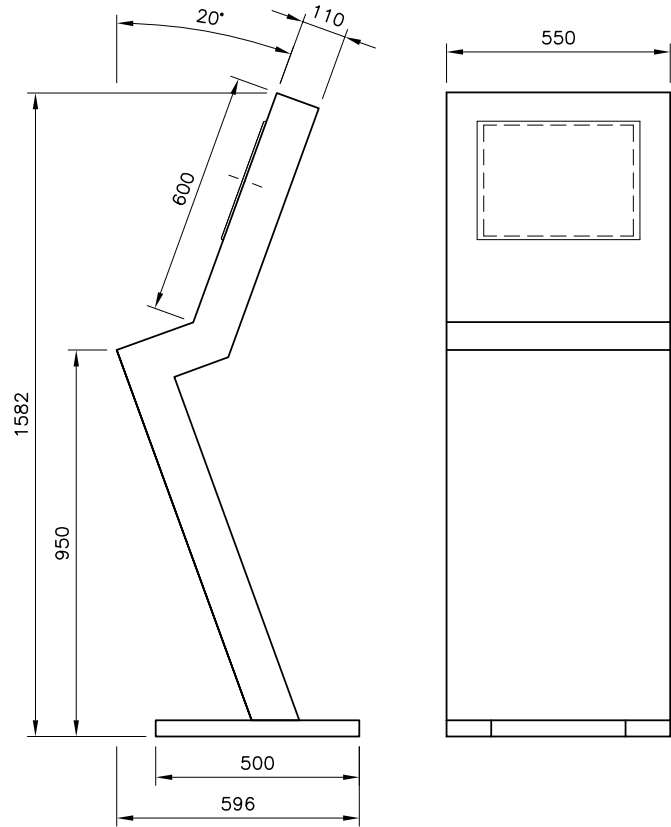
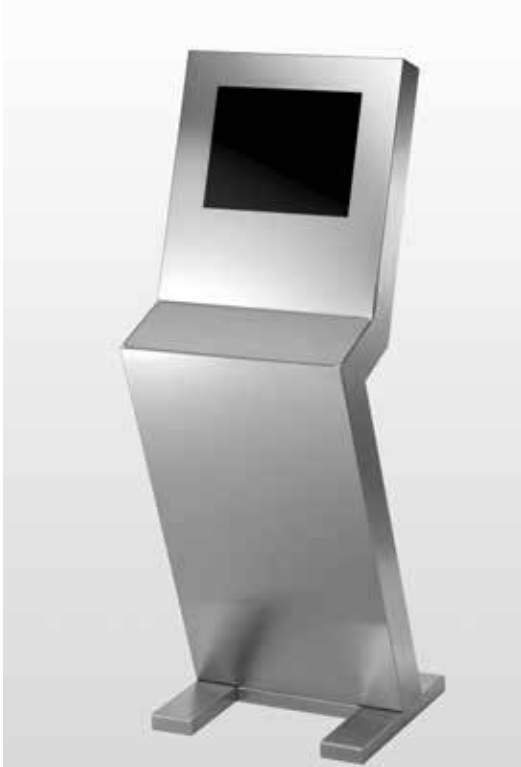
All EN 1.4301 (AISI 304,) s/s execution, EN 1.4404 (AISI 316L) s/s satin finished scotch brite available on request.

The box can accommodate an operator interface maximum dimensions 450x350x120 mm.; accessibility to the rear area is assured by a bolted panel.

Silicone seal.

Dimensions other than the standard ones are available on request.

Protection degree IP54 to EN 60 529.



CONSOLE CSD550Z

EN 1.4301 (AISI 304) s/s execution, satin-finished scotch brite and protected, EN 1.4404 (AISI 316L) s/s execution available on request; fit for accommodating an operator interface having maximum dimensions 480x530x90 mm. and a keyboard, if the need be. Smart, compact and essential, no flat surfaces to avoid filth build-up while facilitating clearing; rear area accessible by taking down a bolted panel.

The rest base, which provides stability, is prearranged for the application of casters.

Silicone seal.

Dimensions other than the standard ones are available on request.

Protection degree IP44 to EN 60 529; higher protection degrees available on request .



• SKIRTING



• DIAGRAM HOLDING POCKETS



• ELECTROCONDUCTIVE GASKET

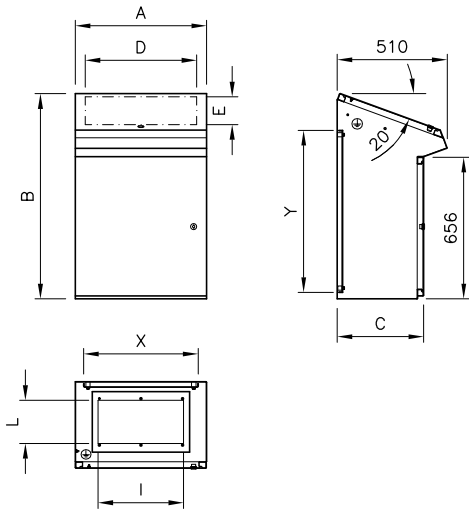


• ADJUSTABLE FEET



LECTERNS

- Material: EN 1.4301 (AISI 304) s/s satin-finished scotch brite and protected on one side, thickness: doors 20/10 envelope 15/10.
- Enclosure obtained from a single sheet.
- Fairlead plates with seal.
- Full doors, top opening with supporting rods (for L.1200 and L.1600 n.2 supporting rods).
- Box-type door locks with 3-point transmission rods.
- Inner hinges, s/s execution, 120° opening as per CEI EN 60204-1 recommendations.
- Maximum weight permitted on the door: 12 kg.
- Foamed polyurethane seal.
- Inner plate made of EN10142 sendimir galvanized sheet, secured to the bottom of the enclosure by s/s stud bolts and supported by suitable ABS rests that relieve the stud bolts of the weight of the plate and of the equipment fitted.
- Prearranged for earthing according to the regulations in force.
- Protection degree IP66 for single door lecterns, IP65 for 2-door lecterns.



ITEM	outside sizes			useful surface		cable way		inner plate	
	A	B	C	D	E	I	L	X	Y
QP0600	608	950	400	516	375	396	200	530	750
QP0800	808	950	400	716	375	596	200	730	750
QP1000	1008	950	400	916	375	796	200	930	750

IP66 EN 60 529



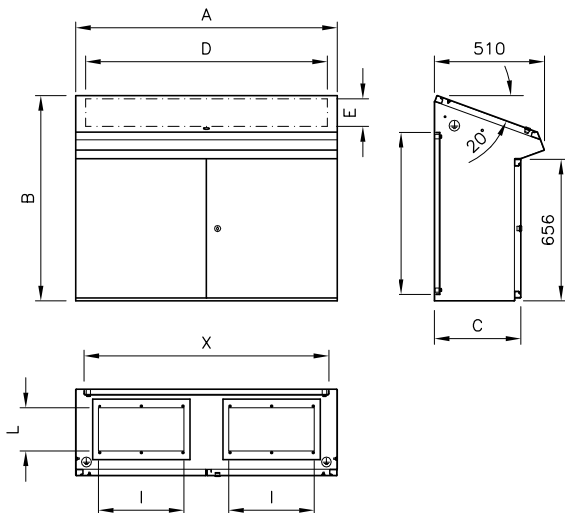
TYPE NEMA 4X,12, 1, 4

Standard UL508A - UL50 Standard 250



EN 60-204-1
89/392/EEC

UL certification to be requested with the order

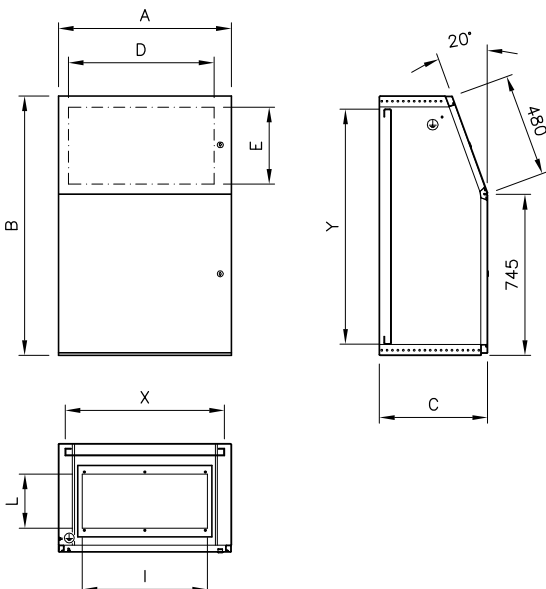


ITEM	outside sizes			useful surface		cable way		inner plate	
	A	B	C	D	E	I	L	X	Y
QP1200	1211	950	400	1119	375	396	200	1113	750
QP1600	1611	950	400	1519	375	596	200	1533	750

IP66 EN 60 529



EN 60204-1
89/392/EEC



ITEM	outside sizes			useful surface		cable way		inner plate	
	A	B	C	D	E	I	L	X	Y
QP0612	600	1200	500	474	380	380	250	537	1088
QP0812	800	1200	500	674	380	580	250	737	1088

IP66 EN 60 529



EN 60204-1
89/392/EEC



IMS SYSTEM



ADJUSTABLE FEET



SKIRTING



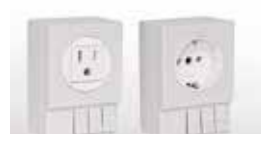
ELECTROCONDUCTIVE GASKET



DIAGRAM HOLDING POCKETS



LAMPS



TAPS

in the section “ACCESSORIES FOR COMPUTER CABINETS”



CASTERS

in the section “ACCESSORIES FOR SMALL CABINETS”



OVERDOORS



CABLE GLANDS



BOX TYPE DOOR LOCKS



GAS-OPERATED SPRINGS



GRIP HANDLES

in the section “AIR CONDITIONING”



CONDITIONING



VENTILATION